

Zinc Sulfide Lens Module #550

- Cost effective lens for high volume application
- Designed for uncooled IR sensors
- Suitable for under FOV 24degree use
- Optimized for the 8-12 μ m wavelength range



Property	Value	Remarks
Optical		
Focal Length	18.8mm	code#0550
F/#	1.0	
Horizontal Filed of View	32.9° (A) / 24.3° (B)	
Image Circle	13.6mm	
Back Focal Length	11.3mm	include window
Focus Adjustment	Manual	
Lens transmission (average)	0.79	wavelength 8-12 μ m
Coating Type	AR Coating*1	wavelength 8-12 μ m
Mechanical		
Weight	20g	
Lens Mount	Threaded	M34 \times 0.5(Pitch)[mm]
Environmental		
Operating Temperature	-40°C to +80°C	

*1 Environmental Test (MIL-F-48616)

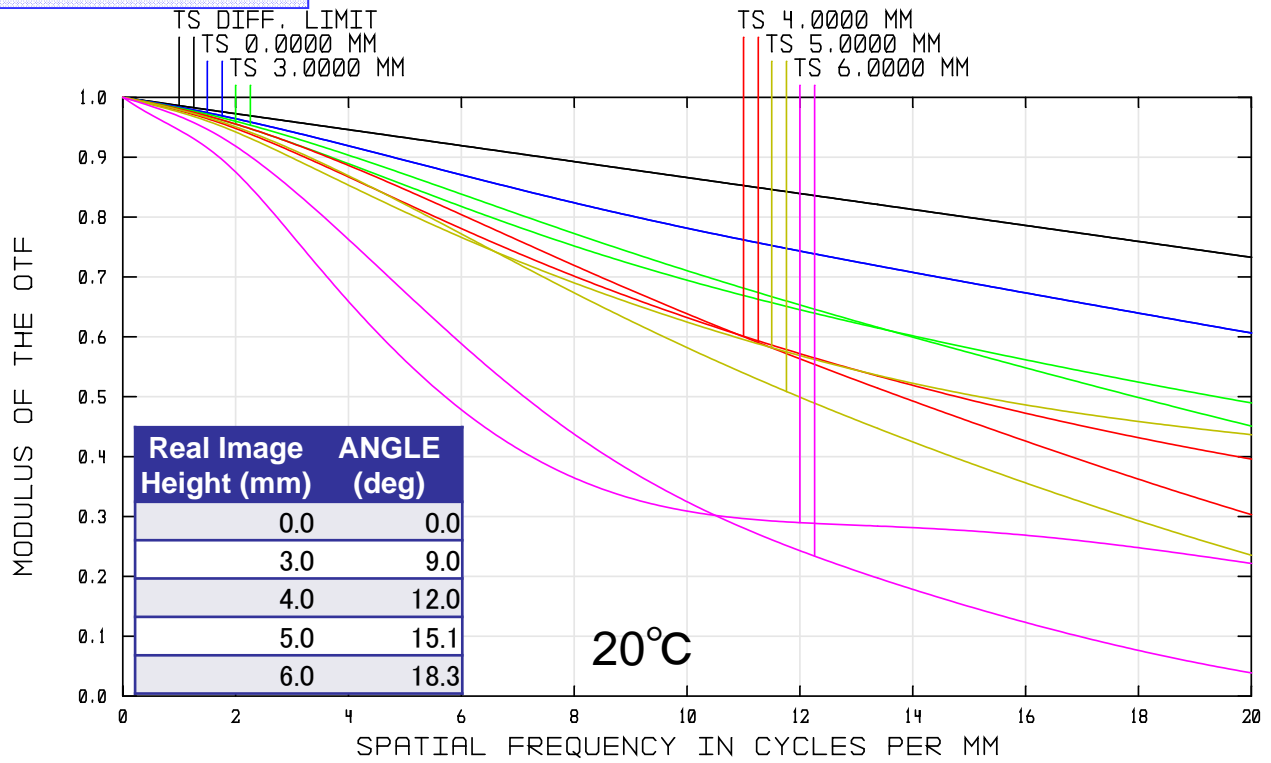
Adhesion	Tape Test
Humidity	85°C/95%X1000h
Abrasion	Severe 20 stroke
Temperature Shock	-40°C to 100°C X1000cycle
High/Low Temperature	100°C X750h / -57°C X570h

Type	Pitch	Pixels
A	17 μ m	640x480 (VGA)
B	25 μ m	320x240 (QVGA)

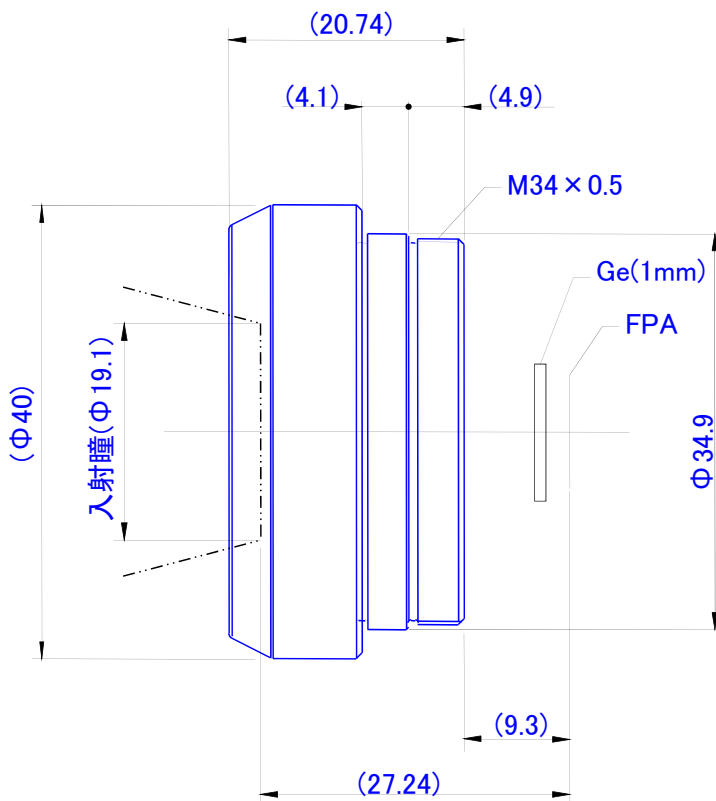
Thermal image by ZnS Lens



MTF Curves



Layout



Distortion

